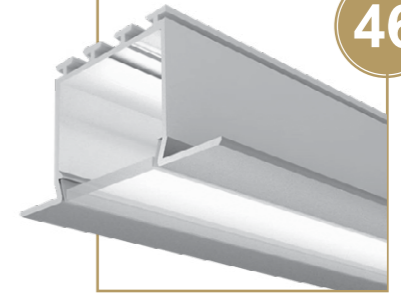
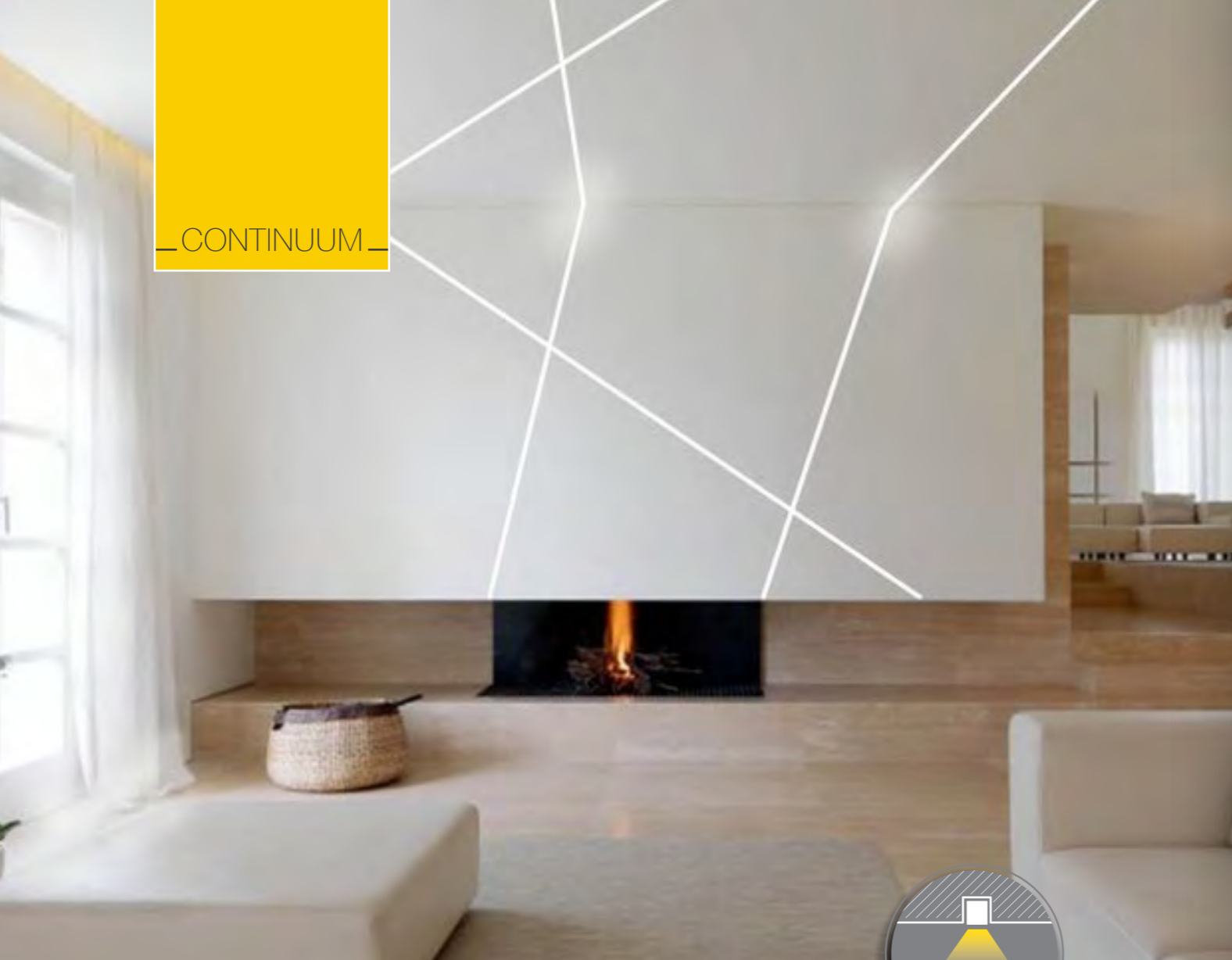


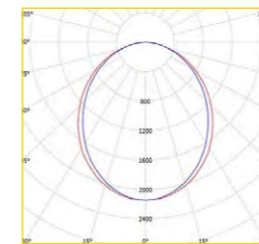
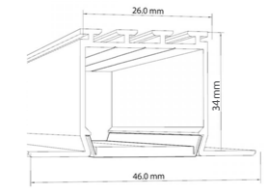
RECCEND LINER LIGHT



CONTINUUM



46



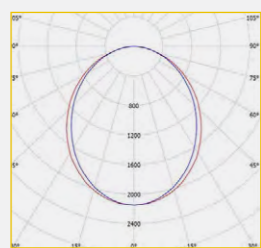
IP22 | 85 CRI | CE | ADJUSTABLE

- Simple form and clean design
- Performance luminaire with integral LED and driver
- Accommodates one lens or one glare control accessory
- Energy Star Qualified
- LED COB light source



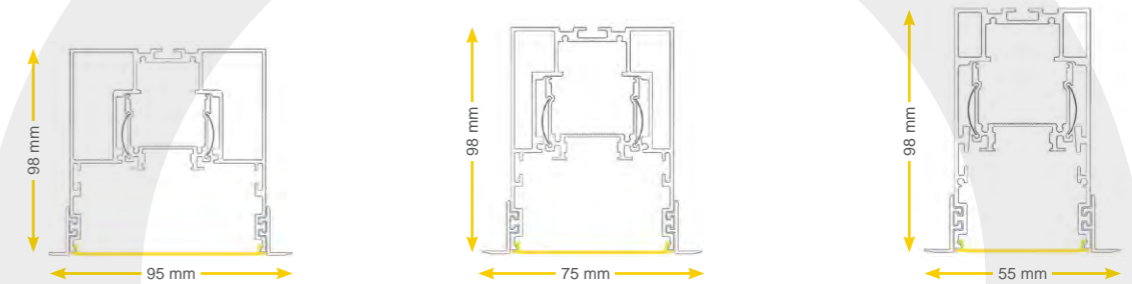
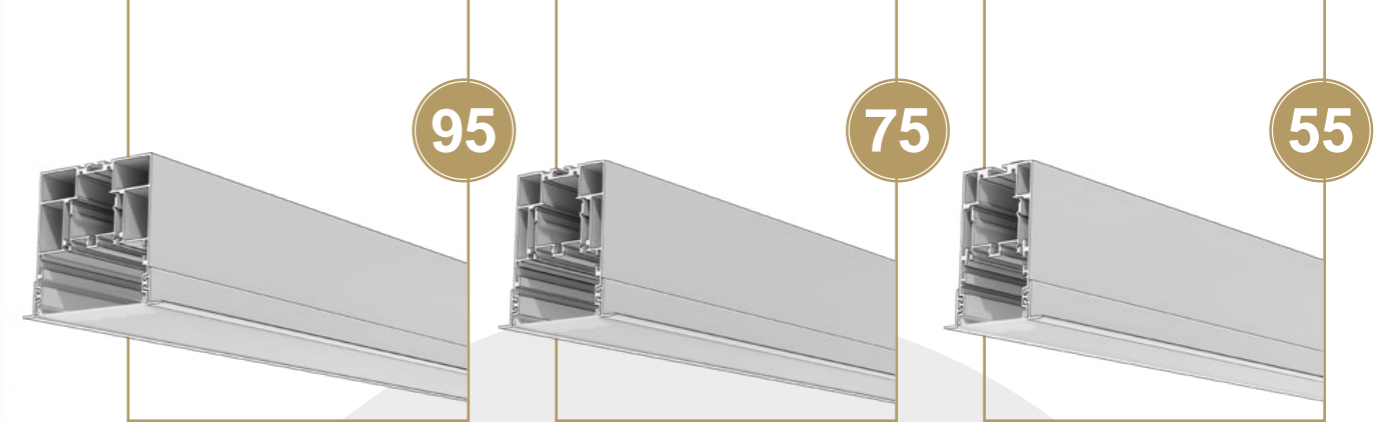
	Order No.	Power	Lumen	Beam Angle(°)	SIZE(mm)
CONTINUUM	NLRC4624	24	2600-3500	110	W46 x H34

Protection Class	Color Temperature(°K)	Body Coating	Body Material
★ Class I	Warm-Cool-Natural	Electrostatic Powder Coating	Die Cast Aluminum



IP52 |
 85 CRI |
 |
 CE

- Simple form and clean design
- Performance luminaire with integral LED and driver
- Accommodates one lens or one glare control accessory
- Energy Star Qualified
- LED COB light source



	Order No.	Power (W)	Lumen	Beam Angle(°)	SIZE(mm)
CONTINUUM	NLRC5524	24	2600-3500	110	W55 x H98
	NLRC7548	48	2600-3500	110	W75 x H98
	NLRC9548	48	2600-3500	110	W95 x H98

Protection Class
★ Class I

Color Temperature(°K)
🌡 Warm-Cool-Natural

Body Coating
👉 Electrostatic Powder Coating

Body Material
⚙ Die Cast Aluminum

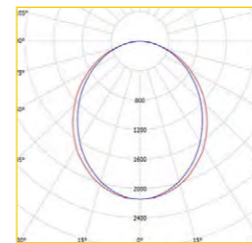
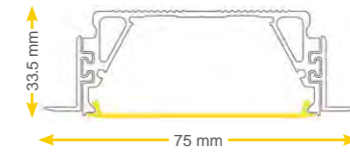
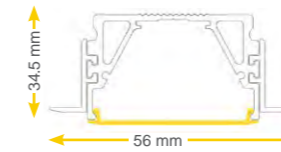
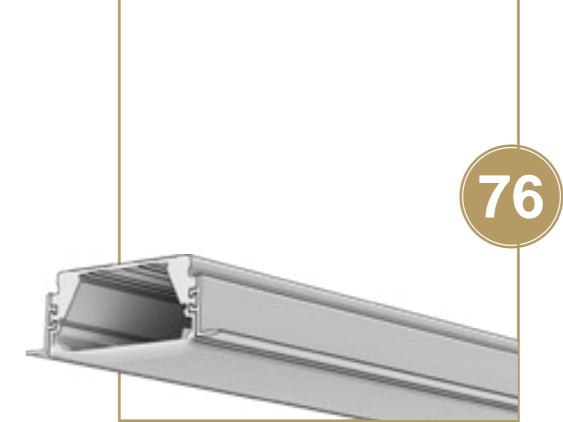
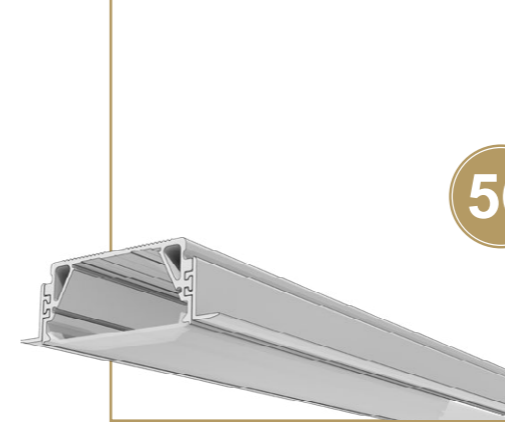
	Order No.	Power	Lumen	Beam Angle(°)	SIZE(mm)
CONTINUUM	NLRC5624	24	2600-3500	110	W56 x H34.5
	NLRC7648	48	2600-3500	110	W75 x H33.5

Protection Class
★ Class I

Color Temperature(°K)
Warm-Cool-Natural

Body Coating
Electrostatic Powder Coating

Body Material
Die Cast Aluminum

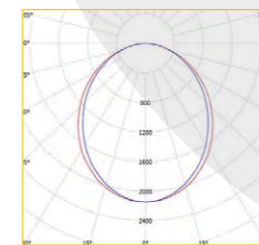
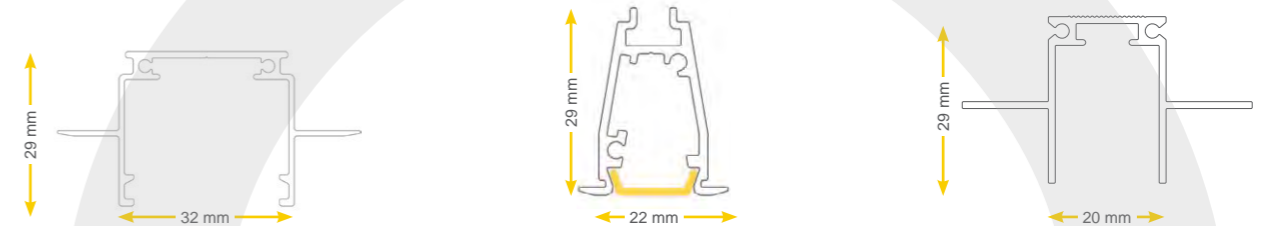
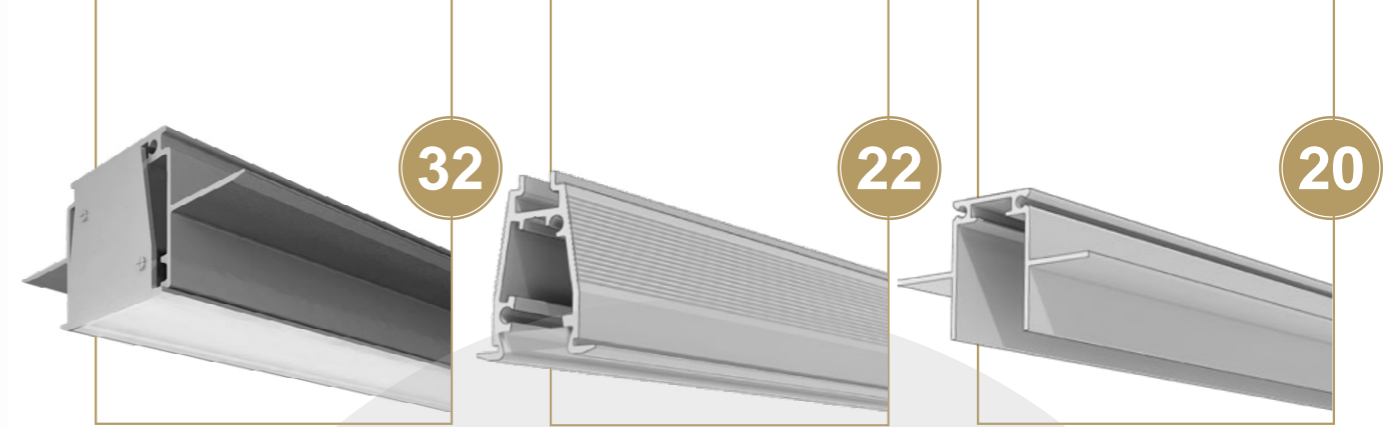


IP52 | 85 CRI | CE

- Simple form and clean design
- Performance luminaire with integral LED and driver
- Accommodates one lens or one glare control accessory
- Energy Star Qualified
- LED COB light source



TRIMLESS



IP52 | 85 CRI | CE

- Simple form and clean design
- Performance luminaire with integral LED and driver
- Accommodates one lens or one glare control accessory
- Energy Star Qualified
- LED COB light source

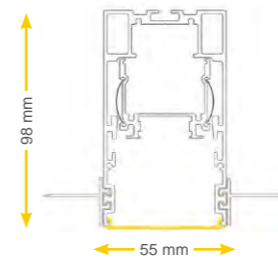
	Order No.	Power	Lumen	Beam Angle(°)	SIZE(mm)
TRIMLESS	NLRT2024	24	2600-3500	110	W20x H29
	NLRT2224	24	2600-3500	110	W22x H29
	NLRT3224	24	2600-3500	110	W32 x H29

Protection Class
★ Class I

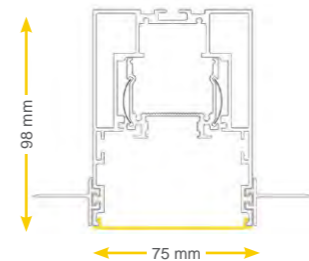
Color Temperature(°K)
Warm-Cool-Natural

Body Coating
Electrostatic Powder Coating

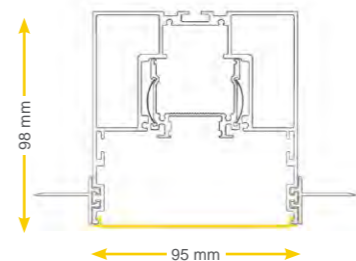
Body Material
Die Cast Aluminum



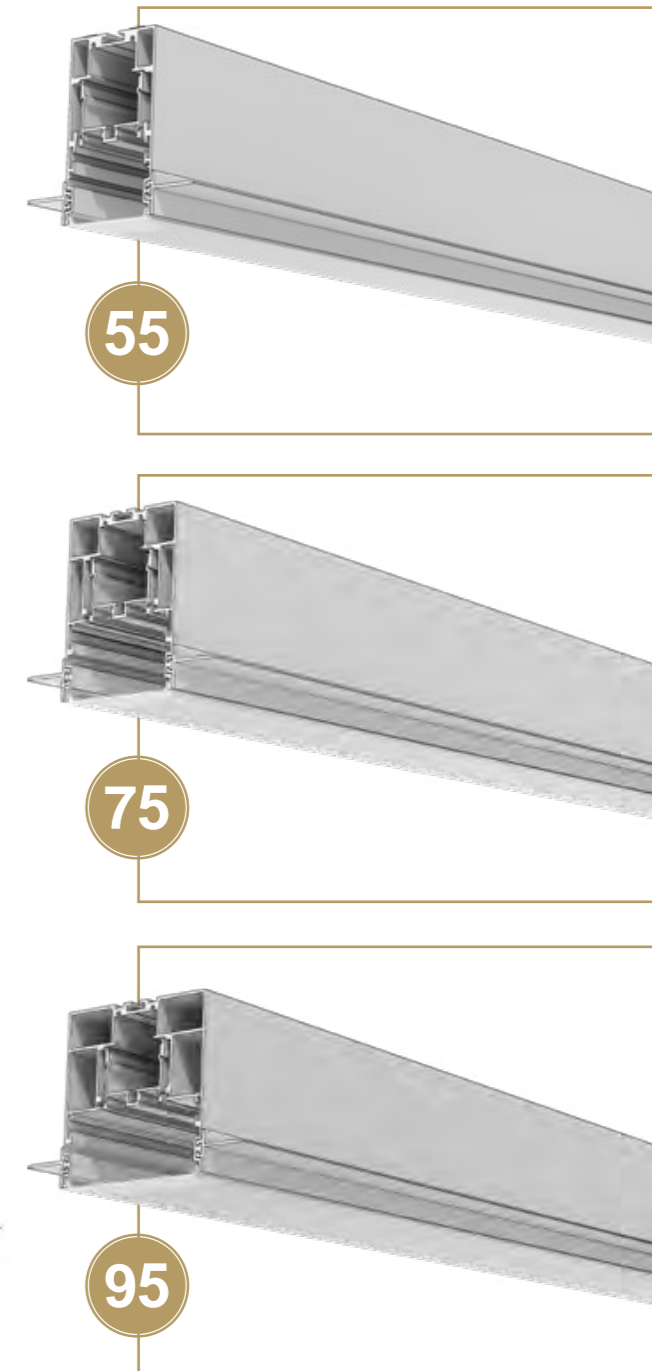
55



75

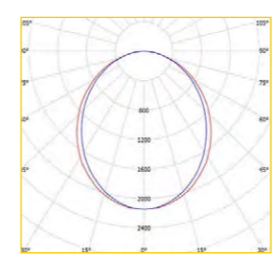


95



	Order No.	Power	Lumen	Beam Angle(°)	SIZE(mm)
TRIMLESS	NLRT5524	24	2600-3500	110	W55x H98
	NLRT7548	24	2600-3500	110	W75x H98
	NLRT9548	24	2600-3500	110	W95 x H98

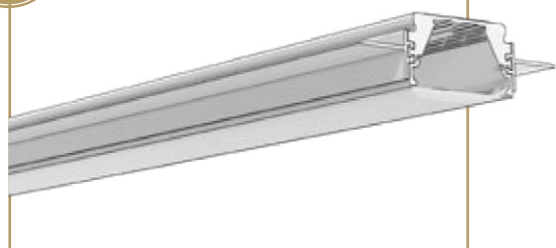
Protection Class ★ Class I	Color Temperature(°K) 🌡️ Warm-Cool-Natural	Body Coating 💧 Electrostatic Powder Coating	Body Material ⚙️ Die Cast Aluminum
-------------------------------	---	--	---------------------------------------



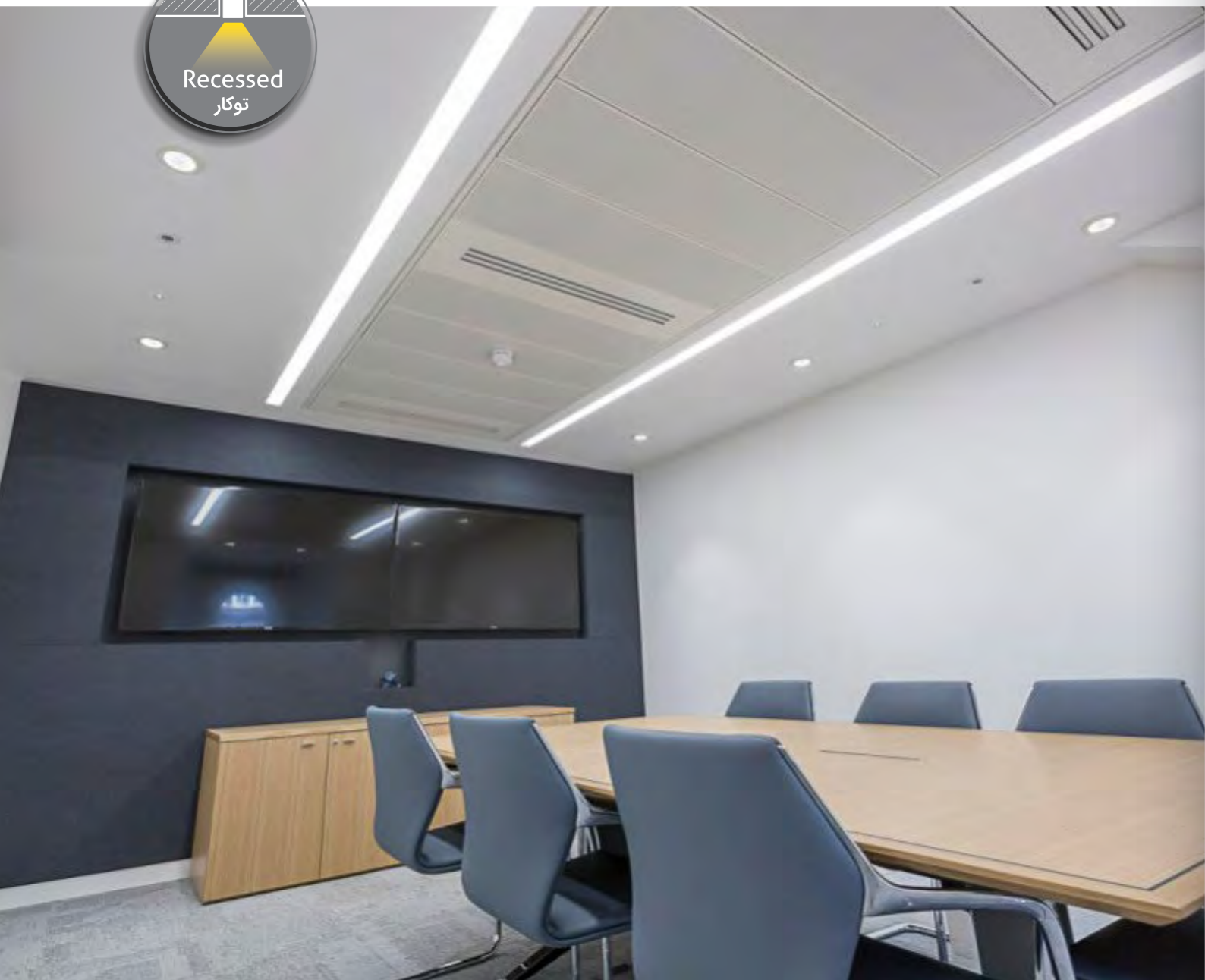
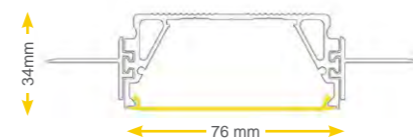
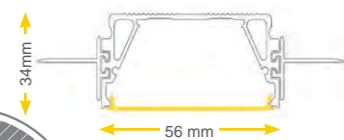
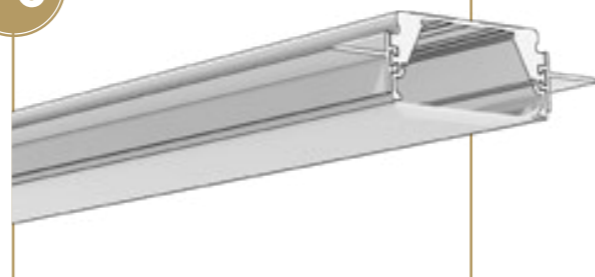
IP52 | 85 CRI | CE

- Simple form and clean design
- Performance luminaire with integral LED and driver
- Accommodates one lens or one glare control accessory
- Energy Star Qualified
- LED COB light source

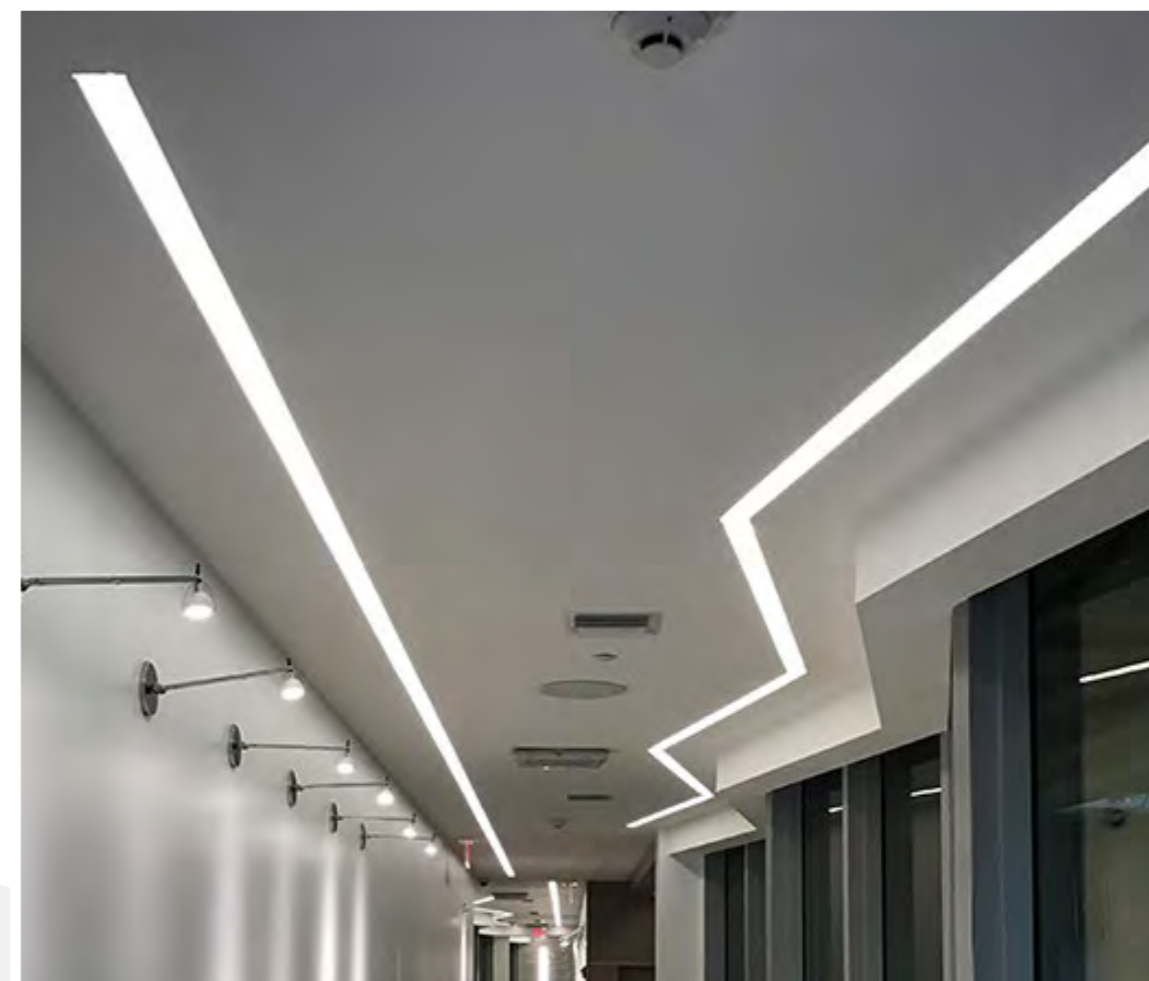
56



76



Trimless Recessed Linear Light



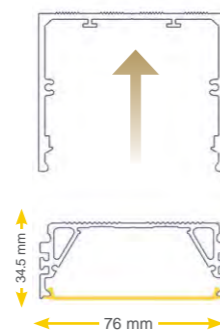
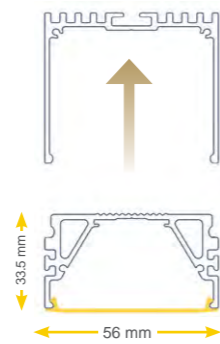
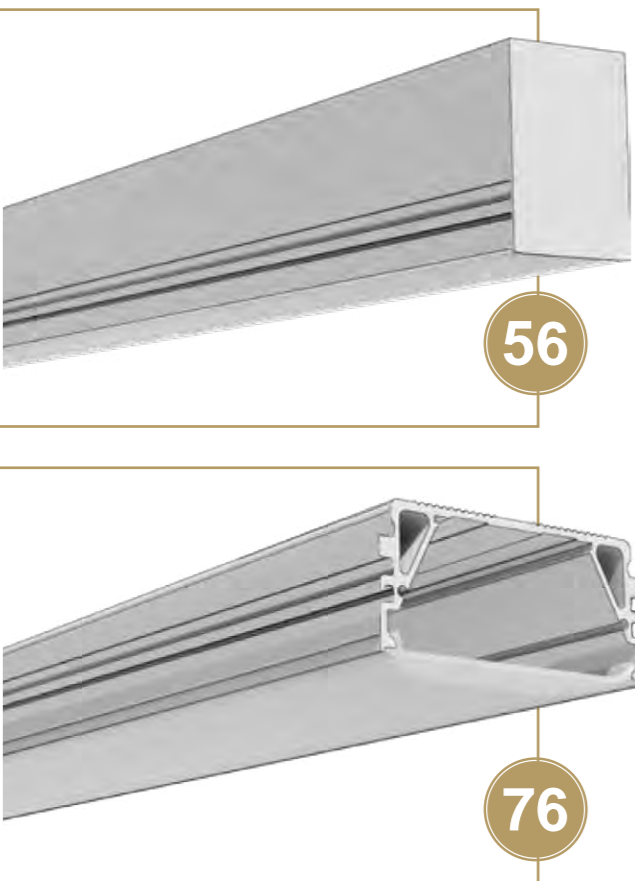
	Order No.	Power	Lumen	Beam Angle(°)	SIZE(mm)
TRIMLESS	NLRT5624	24	2600-3500	110	W56 x H34
	NLRT7648	24	2600-3500	110	W76 x H34

Protection Class	Color Temperature(°K)	Body Coating	Body Material
★ Class I	Warm-Cool-Natural	Electrostatic Powder Coating	Die Cast Aluminum

PENDANT
SURFACE
X
LIGHT
LINER

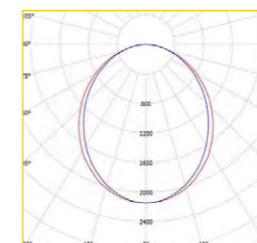


DARLING



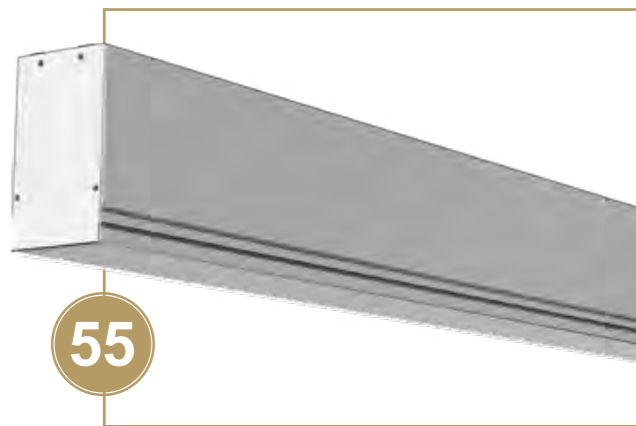
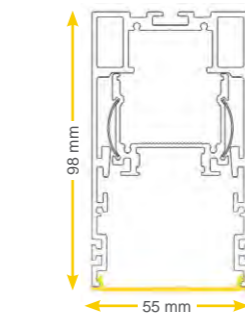
	Order No.	Power	Lumen	Beam Angle(°)	SIZE(mm)
DARLING	NLSD5624	24	2600-3500	110	W56x H80
	NLSD7624	24	2600-3500	110	W76x H95

Protection Class ★ Class I	Color Temperature(°K) Warm-Cool-Natural	Body Coating Electrostatic Powder Coating	Body Material Die Cast Aluminum
-------------------------------	--	--	------------------------------------

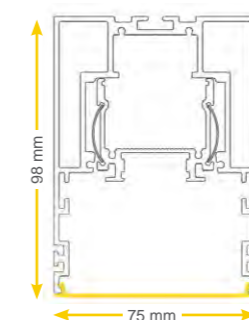


IP52 | 85 CRI | CE

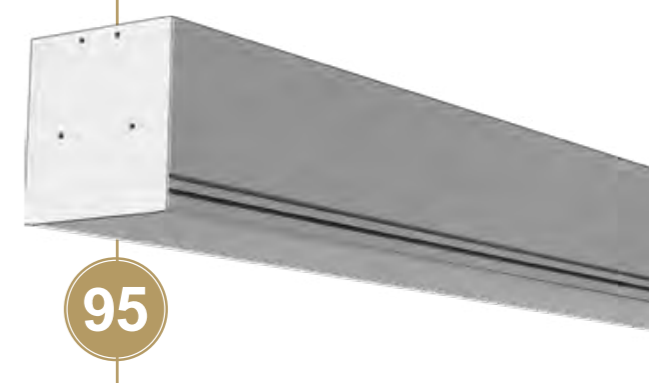
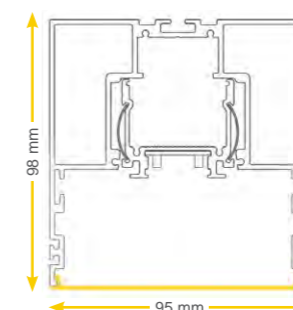
- Simple form and clean design
- Performance luminaire with integral LED and driver
- Accommodates one lens or one glare control accessory
- Energy Star Qualified
- LED COB light source



55



75



95

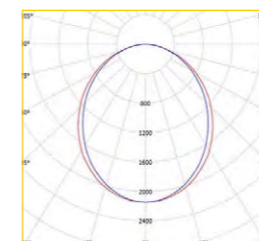
	Order No.	Power	Lumen	Beam Angle(°)	SIZE(mm)
DARLING	NLSD5524	24	2600-3500	110	W55x H98
	NLSD7548	24	2600-3500	110	W75x H98
	NLSD9548	24	2600-3500	110	W95 x H98

Protection Class
★ Class I

Color Temperature(°K)
🔥 Warm-Cool-Natural

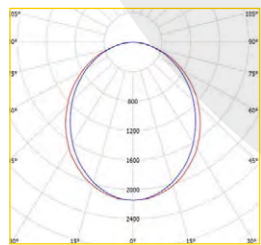
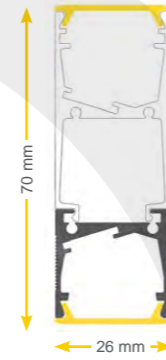
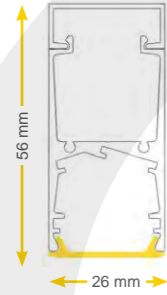
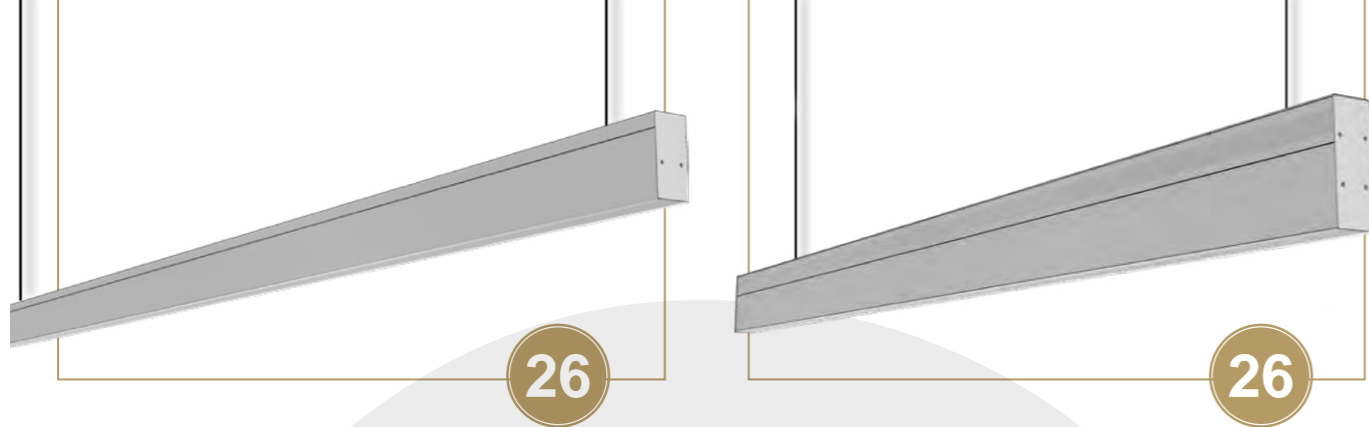
Body Coating
💧 Electrostatic Powder Coating

Body Material
⚙️ Die Cast Aluminum



IP52 | 85 CRI | CE

- Simple form and clean design
- Performance luminaire with integral LED and driver
- Accommodates one lens or one glare control accessory
- Energy Star Qualified
- LED COB light source



IP52 | 85 CRI | CE

- Simple form and clean design
- Performance luminaire with integral LED and driver
- Accommodates one lens or one glare control accessory
- Energy Star Qualified
- LED COB light source

	Order No.	Power (W)	Lumen	Beam Angle(°)	SIZE(mm)
DARLING	NLSD2624	24	2600-3500	110	W26 x H56
	NLSD2224	24	2600-3500	110	W26 x H70

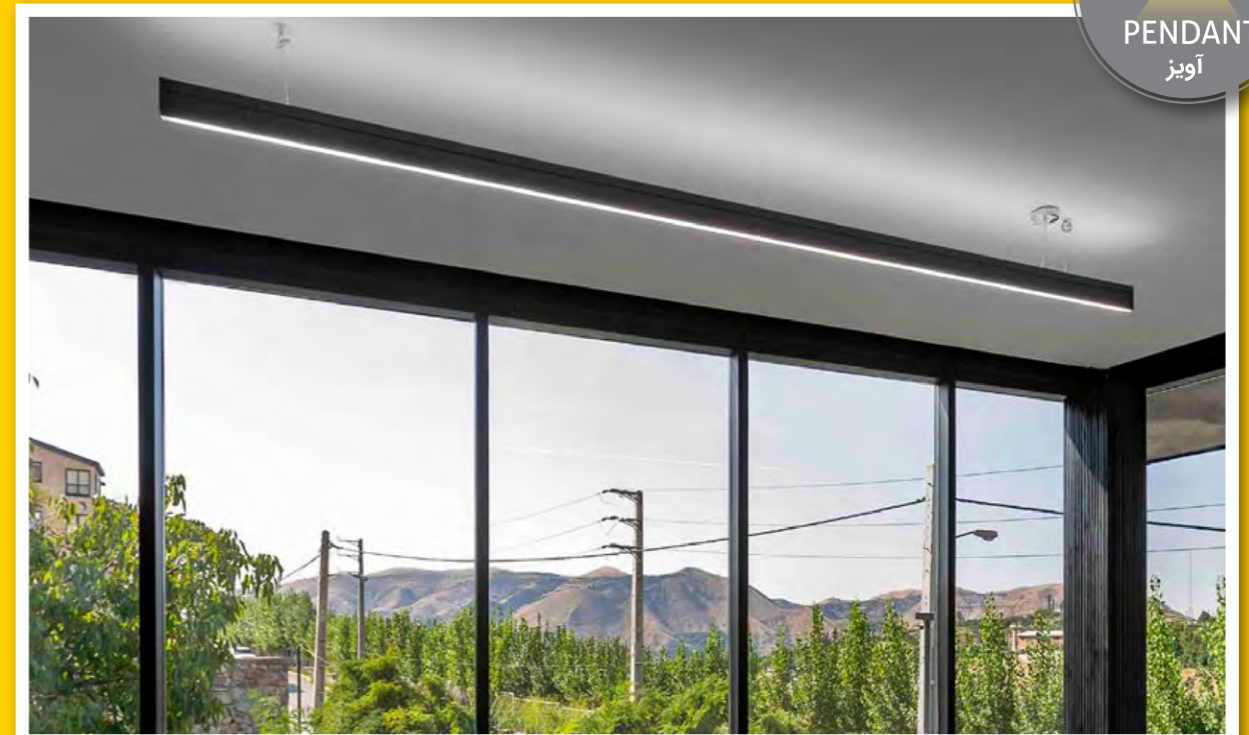
Protection Class
★ Class I

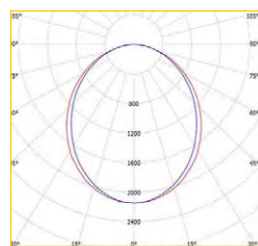
Color Temperature(°K)
🌡 Warm-Cool-Natural

Body Coating
💧 Electrostatic Powder Coating

Body Material
⚙ Die Cast Aluminum

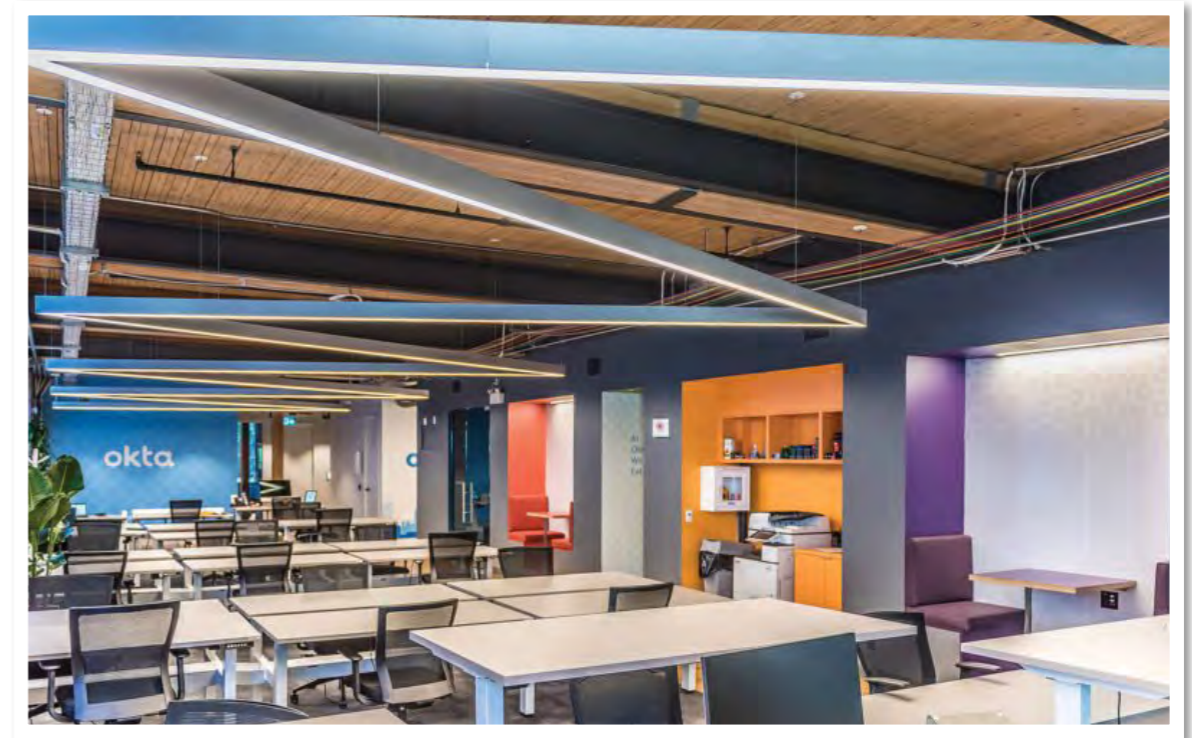
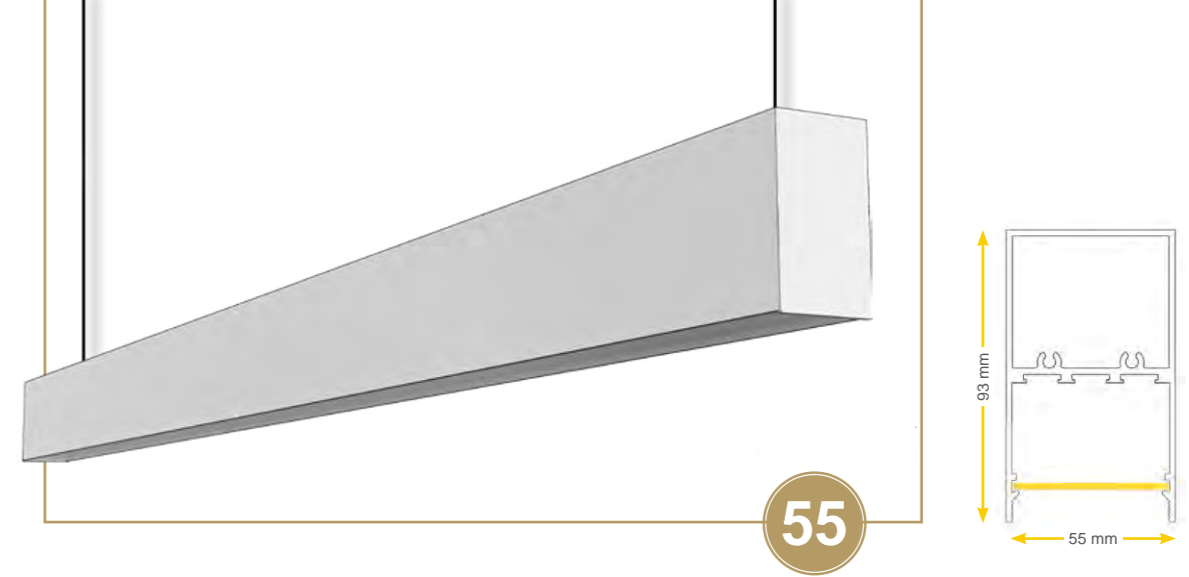
Darling Suspended Linear light





IP52 | 85 CRI | CE

- Simple form and clean design
- Performance luminaire with integral LED and driver
- Accommodates one lens or one glare control accessory
- Energy Star Qualified
- LED COB light source



	Order No.	Power (W)	Lumen	Beam Angle(°)	SIZE(mm)
DARLING	NLSD5624	24	2600-3500	110	W55 x H93
Protection Class	Color Temperature(°K)	Body Coating	Body Material		
★ Class I	🌡 Warm-Cool-Natural	💧 Electrostatic Powder Coating	⚙ Die Cast Aluminum		

WAVE

LINER LIGHT



WAVE



WAVE

Order No. Power Lumen Beam Angle(°) SIZE(mm)

Order No.	Power	Lumen	Beam Angle(°)	SIZE(mm)
NLSW5024	15	800-1600	130	∅ 50 x 80
NLSW6045	45	4500	130	∅ 600 x 85
NLSW9075	75	7500	130	∅ 900 x 85
NLSW2090	95	9500	130	∅ 1200 x 85

Protection Class
★ Class I

Color Temperature(°K)
🌡 Warm-Cool-Natural

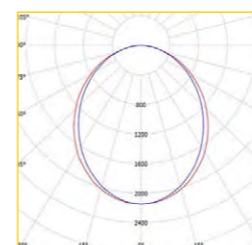
Body Coating
💧 Electrostatic Powder Coating

Body Material
⚙ Die Cast Aluminum



LOOP

Custom Dimensions & Metrics



IP22 | 85 CRI | CE

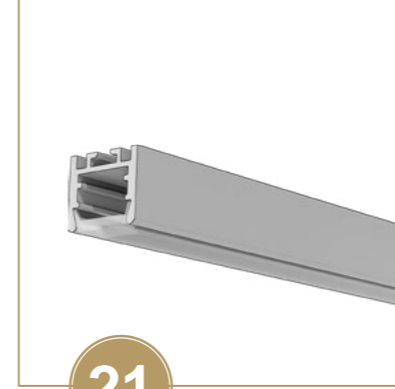
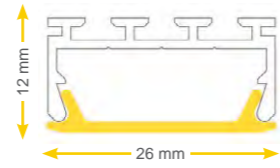
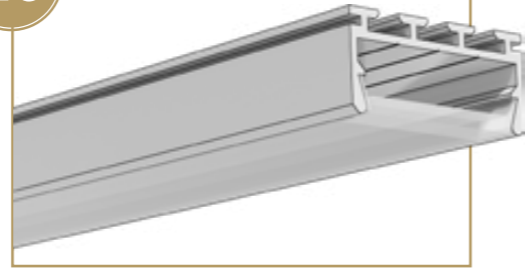
- Simple form and clean design
- Performance luminaire with integral LED and driver
- Accommodates one lens or one glare control accessory
- Energy Star Qualified
- LED COB light source

MINI LINER LIGHT

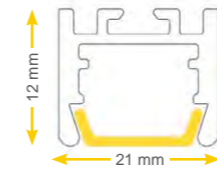




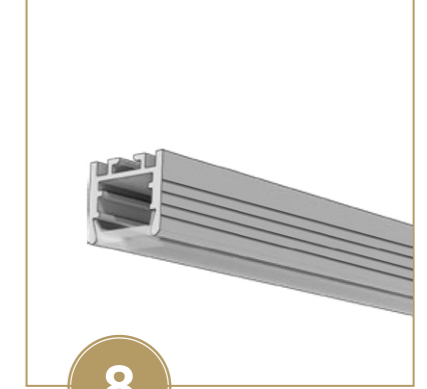
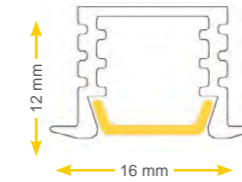
26



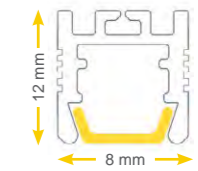
21



16



8



	Order No.	Power	Lumen	Beam Angle(°)	SIZE(mm)
LINK	NLSL2624	24	2600-3500	110	W26 x H12

Protection Class: ★ Class I
 Color Temperature(°K): Warm-Cool-Natural
 Body Coating: Electrostatic Powder Coating
 Body Material: Die Cast Aluminium

	Order No.	Power	Lumen	Beam Angle(°)	SIZE(mm)
LINK	NLSL0812	12	2600-3500	110	W8x H12
LINK	NLRL1624	24	2600-3500	110	W16x H12
LINK	NLSL2124	24	2600-3500	110	W21 x H12

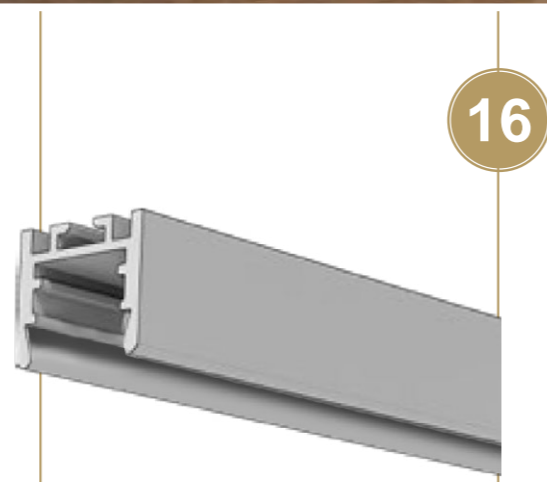
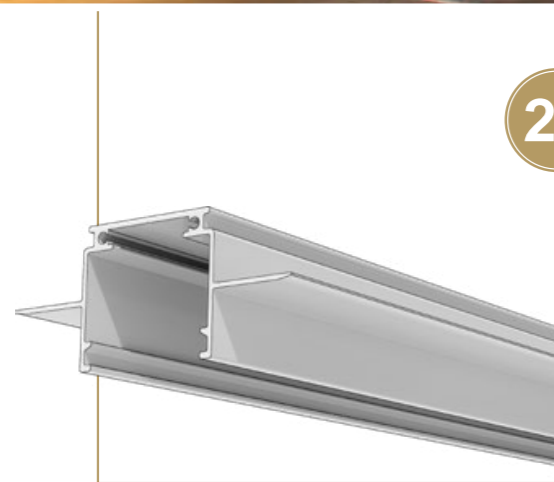
Protection Class: ★ Class I
 Color Temperature(°K): Warm-Cool-Natural
 Body Coating: Electrostatic Powder Coating
 Body Material: Die Cast Aluminium



A close-up photograph showing a light-colored wooden handle resting on a dark, wet metal surface. The metal is covered in numerous small water droplets, and a larger puddle of water is visible near the handle. The background is dark and out of focus.

OUTDOOR

LINER LIGHT



	Order No.	Power	Lumen	Beam Angle(°)	SIZE(mm)
TRIMLESS	NLIX1624	24	2350	110	16 x H14
	NLIX2824	24	2350	110	32 x H29

Protection Class
★ Class I

Color Temperature(°K)
🌡 Warm-Cool-Natural

Body Coating
💧 Electrostatic Powder Coating

Body Material
⚙ Die Cast Aluminum